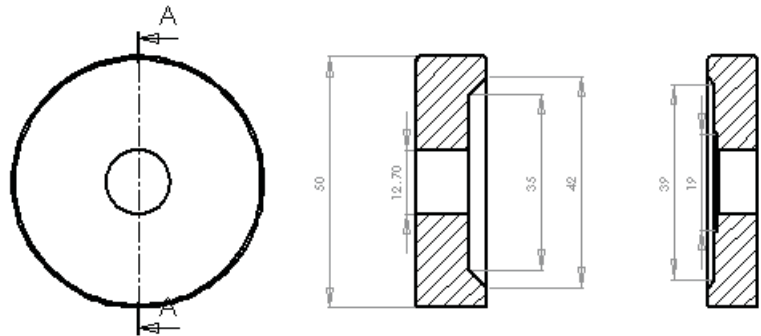
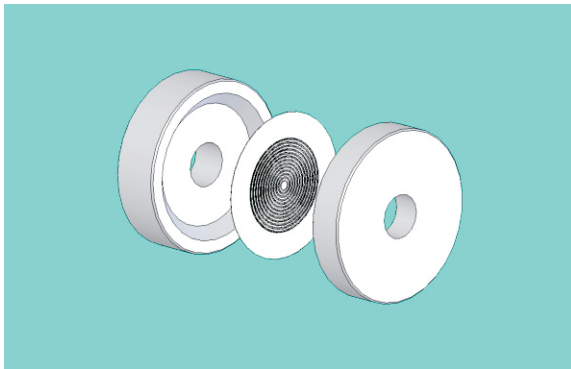


Diaphragm Seals



Diaphragm seals are recommended in applications where there is the possibility of contamination from suspended solids, materials likely to cause a blockage and where corrosive liquids or gases are present. They can be supplied to accompany gauges, transmitters and switches. The instrument can be close coupled to the seal or remotely mounted via a capillary. We stock and can supply diaphragm seals to suit a wide range of processes and plant fittings.

Technical Specification



Diaphragm Materials

316 stainless steel is suitable for many applications. However, the following diaphragm materials can also be used:- Hastelloy B., Hastelloy C., Inconel, Incoloy and Tantalum.

Monel and Titanium Diaphragms can also be supplied with compatible materials for wetted parts.

All the above can be P.T.F.E/ P.F.A coated if required.
Maximum Process Temperature of 315°C (P.T.F.E Coated is 200°C)

Fittings

Thread Sizes: Male thread for 1/4" to 2" BSP, NPT or API. Other Standard thread sizes can be made to order.

Flange Types: BS10-ANSI B16-BS1560 Sect 3.1, BS4505

Extension Tubes: Up to 1 metre in length, for 2" to 4" flanges. Other sizes on request.

For Sales or further information contact our Sales Engineering team

Knowsley Instrument Services Ltd, Unit 10 & 11 Lodge Works, Ashcroft Road
Knowsley Industrial Park North, Liverpool. L33 7TW. UK.